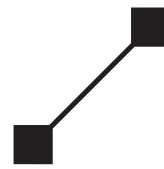


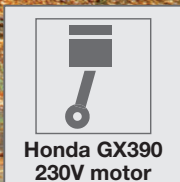
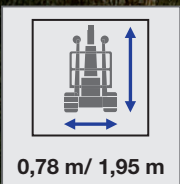
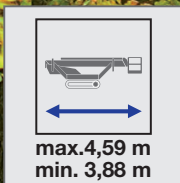
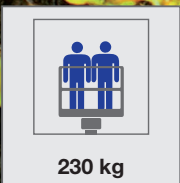
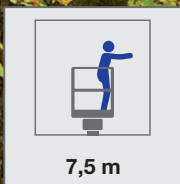
# BLUELIFT

[www.ruthmann.it](http://www.ruthmann.it)  
[www.bluelift.it](http://www.bluelift.it)



**RUTHMANN**  
professionals at work

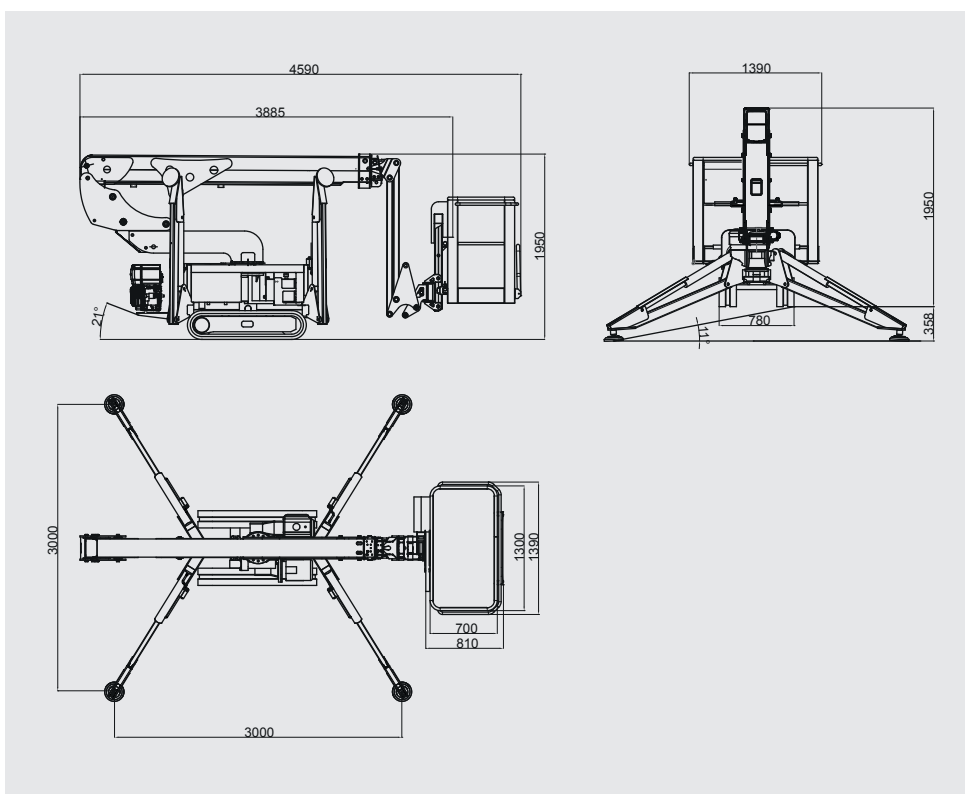
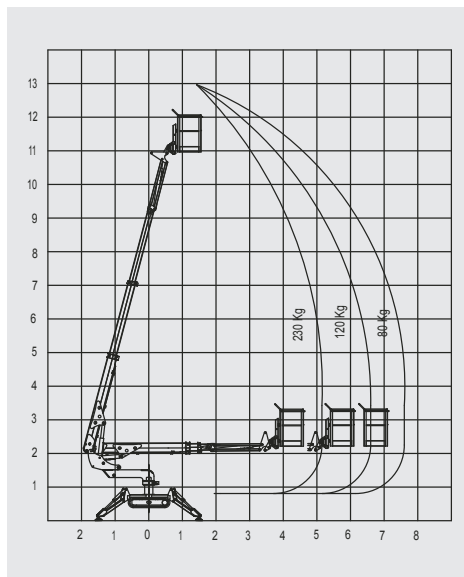
# C13





# C13

RUTHMANN Italia S.r.l.  
Via Santa Maria del Piano di Sotto 91  
47854 Montescudo (RN) - ITALY  
Phone. +39 0541 756872 - Fax +39 0541 729800  
info@ruthmann.it - www.ruthmann.it  
info@bluelift.it - www.bluelift.it



## Equipment standard

- Quickly removable aluminum basket
- i-Performing electric pump (patented) with auto Start/Stop system
- 230V power outlet in basket
- Cable remote control with interactive and multi-lingual display
- Moment limiting device
- Automatic center position of turret
- Proportional and simultaneous electro-hydraulic controls
- Proportional track drive with hydraulic breaking system
- Driving Lateral slope alarm with safety stop
- Driving possible with upper boom raised (with selector)
- Interblock outriggers/booms
- Emergency push-button with engine stop
- Simple Emergency lowering procedure
- Hand pump for the emergency lowering of platform
- Covers on outrigger cylinder's piston rod, oil tank and emergency controls
- Modern connection plug for diagnosis/software upgrading in remote
- Produced according to EN280 norm and international safety regulation

## Optional

- Basket rotation\*
- Radio remote control
- Self Stabilizing System
- Air/Water tube
- Petrol engine HONDA iGX with automatic RPM control and Automatic START & STOP
- Diesel engine HATZ 1B40 with automatic RPM control and Automatic START & STOP
- 110V power
- Blue Lithium pack\*
- Blue Hybrid pack\*
- No-marking crawlers
- Track width adjusting system\*
- Double drive speed system with safety control
- Go-Home function
- Custom paint work

\*This option increase the overall weight of platform

**Subject to change without notice**

## C13

|                          |                    |
|--------------------------|--------------------|
| Working height, max.     | 13 m               |
| Horizontal outreach, max | 7,5 m/80 kg        |
|                          | 6,6 m/120 kg       |
|                          | 5,15 m/230 kg      |
| Basket capacity          | 230 kg             |
| Basket dimension         | 1,3m x 0,7m x 1,1m |
| Turret rotation          | 340°               |
| Overall weight           | 1500 kg            |
| Travel speed             | 1,5 km/h           |
| Gradeability, max.       | 28%                |
| Combustion engine        | Honda GX390 13HP   |
| Electric motor           | 230V - 2,2 kW      |